



Food Processor Cutter Mixer 7 LT - 2 Speed

ITEM # _____

MODEL # _____

NAME # _____

SIS # _____

AIA # _____



600503 (K70Y2V)

Cutter Mixer 7 lt capacity, 2 speeds 1500-3000 rpm. Supplied with micro toothed blade rotor and stainless steel bowl

Short Form Specification

Item No. _____

2 in 1 machine: table-mounted cutter and emulsifier thanks to the ergonomic and easily dismantlable scraper, in heavy duty composite material, for liquidising, mixing and mincing in a matter of seconds. Stainless steel 7 litre bowl with high chimney to increase the real capacity of the bowl. Unique bowl design for mixing both large or small quantities. Transparent lid to check consistency of food and to eventually add ingredients without having to open the lid. Hinged cover, when lifted, remains open to permit a fast and easy check of preparation. Micro toothed blades in 420 AISI stainless steel. All parts are easily dismantled and dishwasher safe. Multiple safety devices ensure the machine will only operate when the cover is properly closed and all parts are correctly positioned. Flat and waterproof control panel with on/off button, pulse function and 2 speeds (1500/3000 rpm).

Main Features

- Table-mounted robust cutter and emulsifier allows fast liquidizing, mixing, chopping, mincing, and pastry-making.
- Emulsifier function (scraper) included as standard.
- Base fixed cover for a better handling.
- Lid with central opening to add ingredients in mid-cycle.
- All parts in contact with food are removable without the use of tools, completely dismantlable and dishwasher safe.
- Easy to clean and waterproof control panel with flat on/off button and pulse function.
- Microswitch and safety devices on handle, lid and bowl.
- Pulse function for coarse chopping.
- Productivity suitable for 50-150 meals per service

Construction

- Stainless steel 7 liter bowl has a high chimney to ensure high productivity also when processing liquids.
- Micro-toothed blades in 420 AISI stainless steel and ergonomic scraper in resistant composite material to ensure consistent mixing.
- 2 speeds: 1500 and 3000 rpm.
- Transparent lid incorporates a magnetic contact safety system.
- Improved ventilation system to manage smoothly heavy duty use.
- Reinforced feet to withstand the repeated handling of the unit.

Included Accessories

- 1 of Lid and bowl scraper for 7 lt cutter mixer PNC 650104
- 1 of Stainless steel bowl for 7 lt cutter mixer PNC 653593

Optional Accessories

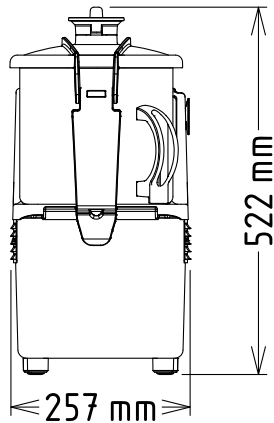
- Lid and bowl scraper for 7 lt cutter mixer PNC 650104
- Stainless steel bowl for 7 lt cutter mixer PNC 653593

APPROVAL: _____

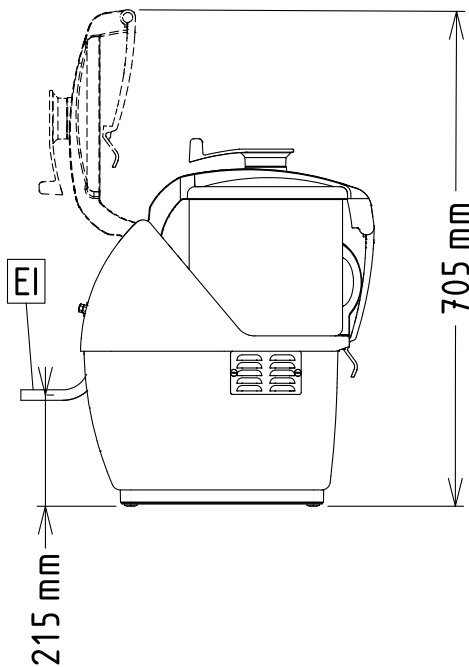


Experience the Excellence
www.electroluxprofessional.com

Front

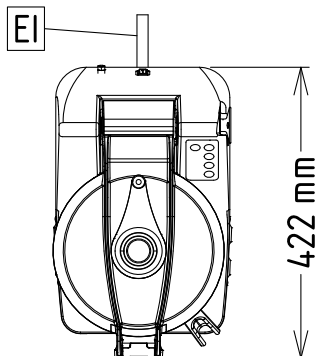


Side



EI = Electrical inlet (power)

Top



Electric

Supply voltage:

600503 (K70Y2V) 380-440 V/3 ph/50/60 Hz

Electrical power max.: 1.2 kW

Total Watts: 1.2 kW

Capacity:

Performance (up to): 3.5 kg/Cycle

Capacity: 7 litres

Key Information:

External dimensions, Width: 256 mm

External dimensions, Depth: 422 mm

External dimensions, Height: 522 mm

Shipping weight: 23 kg

Waterproof index: IP23